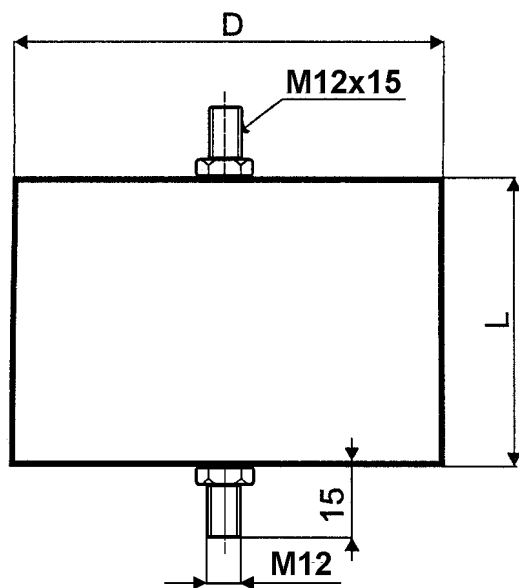




CAPACITORS FOR HV & HIGH PULSE APPLICATIONS KPI 500 – 084



INFO



Dimensions: $D=85$, $L=65^{+1}$ mm

Construction:

Metall electrodes, polypropylene film dielectricum,
Non-inductive, self-healing construction,
Plastic cylindrical flame retardant case

Applications:

High pulse applications and other AC
applications with very high pulse loading

Technical data

Rated voltage U_R : 5000V DC

Rated voltage is the max. DC or peak voltage,
for which the capacitor is designed.

If the capacitor works with the DC and also
super-imposed AC voltage U_{AC} , the sum of DC
and the amplitude of AC must not exceed the U_R

Rated capacitance: 0,5µF, other values on request

Tolerance: $\pm 20\%$, $\pm 10\%$,

Dissipation factor $Tg\delta$: $< 0,001$ at 1kHz and $+25^\circ\text{C}$

Insulation resistance R_{IS} : 30 000 MΩ

Operating temperature range: $-40 \div +70^\circ\text{C}$

The highest permissible capacitor temperature at the
hottest point of the case must not exceed $+70^\circ\text{C}$.

Test voltage between terminals: 7,500VDC, 1min
at $+25^\circ\text{C}$, All capacitors are tested by the routine test
by the producer

Protection against Overvoltages:

The capacitors are self-healing and regenerate
themselves after occasional breakdowns. The
capacitor remains fully functional after the breakdown.

Permitted Overvoltages in working conditions:

$1,1 \times U_R$ max. 10% of the service period
If the Overvoltages exceed the permissible values
above, the capacitor might have been destroyed.

Test voltage between terminals and case:

7500VDC, 1min. at $+25^\circ\text{C}$

Max. repetitive rate of voltage rise dU/dt :

1000V/µsec at U_R and $+25^\circ\text{C}$

Max. peak current I_p : $< 2000\text{A}$

Terminals: screws M12x15

Related standards: IEC 60384-1

Marking for purchase ordering:

KPI 300-1xx

0,5µF $\pm 10\%$ 5000V DC

Warning! The manufacturer is not responsible
for any damages, caused by the improper
installation and application. Before using the
capacitor in any application, please, read carefully
this technical data-sheet.